

# 70T 16In NT WLAN ATSC/QAM/NTSC

C70T16N-XWXXA-01

## Parts Manual

12/18/2023 1:23:03 AM



**Table of Contents**

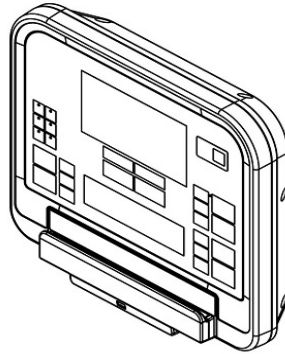
---

[Console Serial Number Table Non-Treadmill](#).....3  
[Option Panel Assembly](#).....4

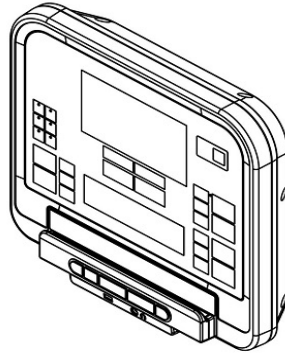
## Console Serial Number Table Non-Treadmill

---

Standard Console



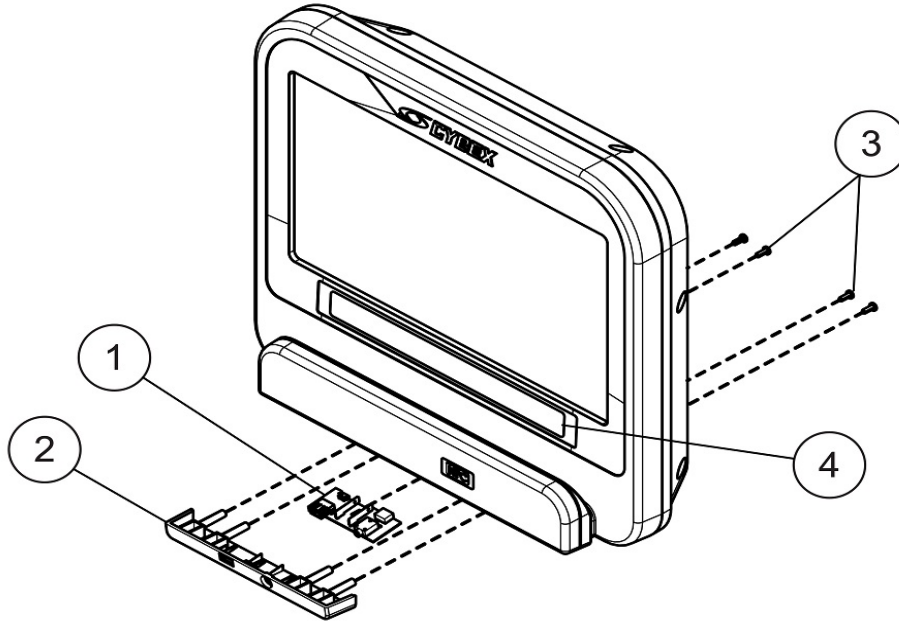
Entertainment Console



Ref #	Part Number	Qty	Description
-	C70T16N-XWXXA-01R	1	70T 16In NT WLAN ATSC/QAM/NTSC

## Option Panel Assembly

---



Ref #	Part Number	Qty	Description
1	<b>B084-92391-0004</b>	1	Apollo II Headphone Jack/USB PCB-SRVC1
2	<b>1005513-0001</b>	1	PLASTIC: MULDER OPTION PANEL, CHGR PROMATE
3	<b>0017-00101-1650</b>	4	SCREW: 6-19 X 6, PHL, PAN, PLT, ST, ZB, VMI
4	<b>1002200-0002</b>	1	LABEL: WARNING, NONTREAD

